

EMC shield clamps on earthing tapes

with or without integrated cable fixing function



The earthing tapes are fitted with a shield clamp at one end. This solution is used where space is limited.

The earthing tapes are available with M4 or M6 holes.



RoHS
compliant



Made in
Germany

Specifications

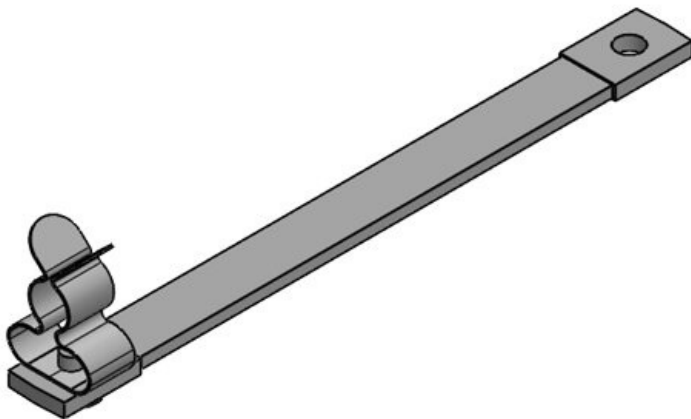
Material	Shield clamp: Spring steel, zinc plated Base frame: Cu-ETP
Properties	vibration proof
Mounting options	Screw type mounting, Riveting

Advantages & benefits

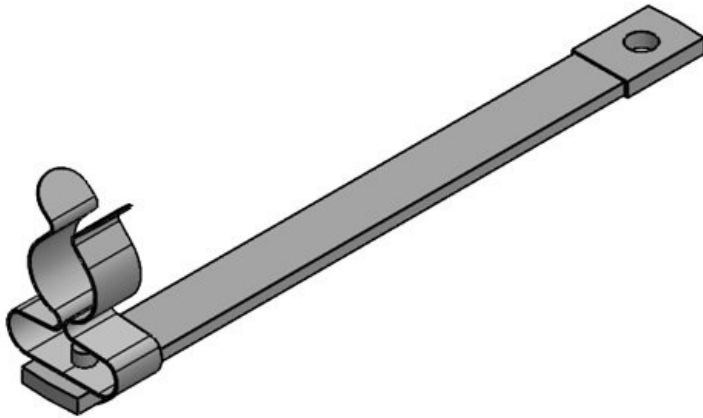
- Very flexible assembly
- Ideal for difficult to access installations
- Earthing tapes with pressed-on connecting end pads
- Standard products, short delivery times
- UL listed

Product types & sizes

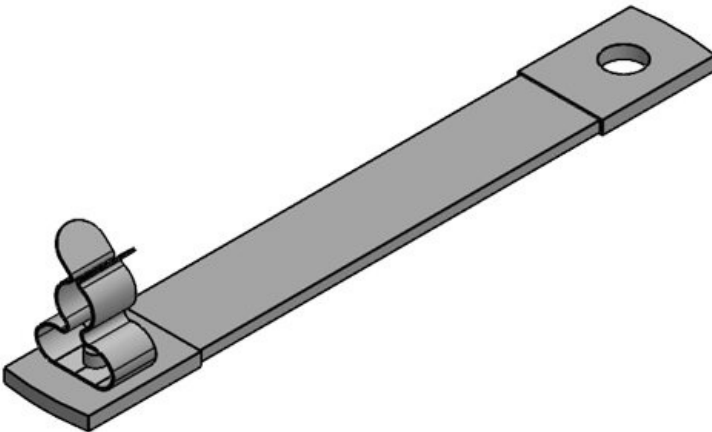
MB|100|6|M4|MSKL 3-12



Part No.	32695.01	Length	113 mm
EAN	4251269324	Width	14,9 mm
	451	Height	25 mm
Package quantity	10	Hole size	M4
No. of shield clamps	1	Cross-section	6 mm²
For max. no. of cables		Current load	67 - 80 A
Min. shield diam.	3 mm		
Max. shield diam.	12 mm		



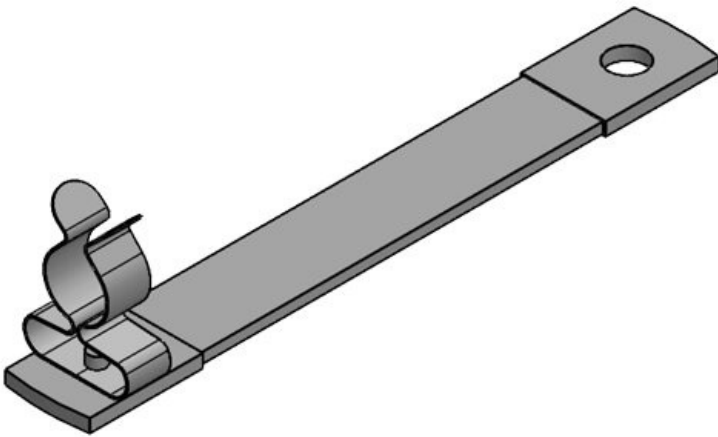
Part No.	32695.02	Length	113 mm
EAN	4251269324	Width	19,7 mm
	468	Height	31,2 mm
Package quantity	10	Hole size	M4
No. of shield clamps	1	Cross-section	6 mm²
For max. no. of cables		Current load	67 - 80 A
Min. shield diam.	8 mm		
Max. shield diam.	18 mm		



Part No.	39711.01	Length	120 mm
EAN	4251269324	Width	14,9 mm
	413	Height	25 mm
Package quantity	10	Hole size	M6
No. of shield clamps	1	Cross-section	10 mm²
For max. no. of cables		Current load	89 - 106 A
Min. shield diam.	3 mm		
Max. shield diam.	12 mm		

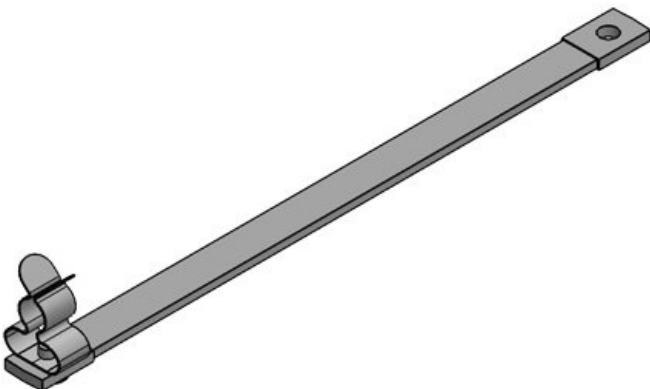
MB|100|10|M6+M4|MSKL 8-18

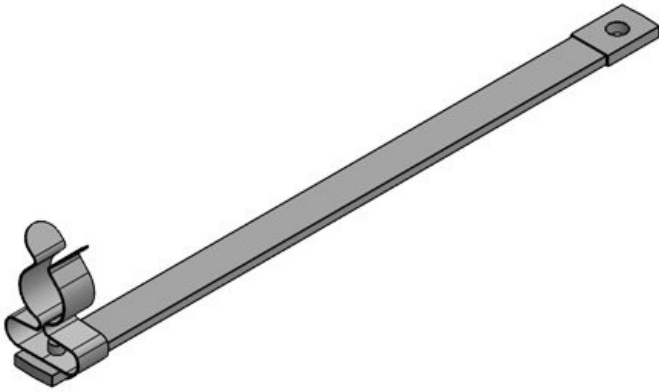
Part No.	39711.02	Length	120 mm
EAN	4251269324	Width	19,7 mm
	420	Height	31,2 mm
Package quantity	10	Hole size	M6
No. of shield clamps	1	Cross-section	10 mm²
		Current load	89 - 106 A
For max. no. of cables	1		
Min. shield diam.	8 mm		
Max. shield diam.	18 mm		



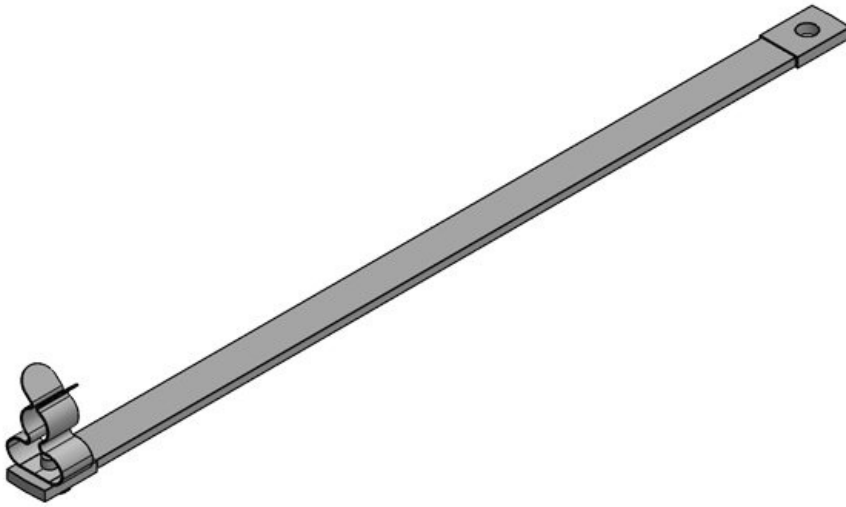
MB|150|6|M4|MSKL 3-12

Part No.	39710.01	Length	163 mm
EAN	4251269324	Width	14,9 mm
	376	Height	25 mm
Package quantity	10	Hole size	M4
No. of shield clamps	1	Cross-section	6 mm²
		Current load	67 - 80 A
For max. no. of cables	1		
Min. shield diam.	3 mm		
Max. shield diam.	12 mm		





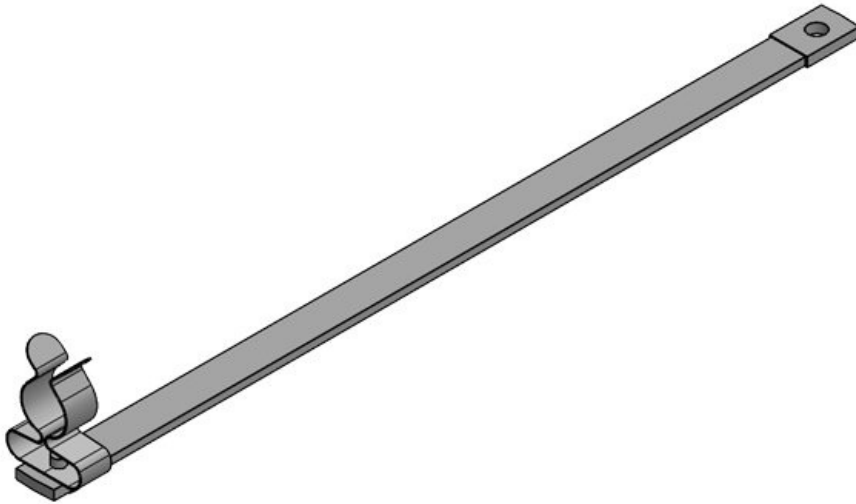
Part No.	39710.02	Length	163 mm
EAN	4251269324	Width	19,7 mm
	383	Height	31,2 mm
Package quantity	10	Hole size	M4
No. of shield clamps	1	Cross-section	6 mm²
For max. no. of cables	1	Current load	67 - 80 A
Min. shield diam.	8 mm		
Max. shield diam.	18 mm		



Part No.	32707.01	Length	213 mm
EAN	4251269324	Width	14,9 mm
	499	Height	25 mm
Package quantity	10	Hole size	M4
No. of shield clamps	1	Cross-section	6 mm²
For max. no. of cables	1	Current load	67 - 80 A
Min. shield diam.	3 mm		
Max. shield diam.	12 mm		

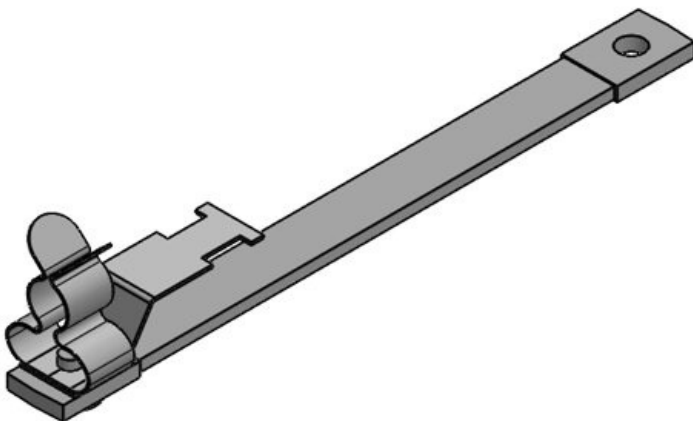
MB|200|6|M4|MSKL 8-18

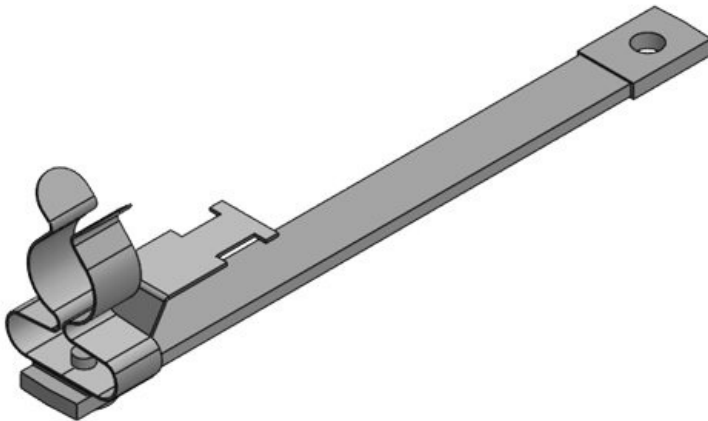
Part No.	32707.02	Length	213 mm
EAN	4251269324	Width	19,7 mm
	505	Height	31,2 mm
Package quantity	10	Hole size	M4
No. of shield clamps	1	Cross-section	6 mm²
		Current load	67 - 80 A
For max. no. of cables	1		
Min. shield diam.	8 mm		
Max. shield diam.	18 mm		



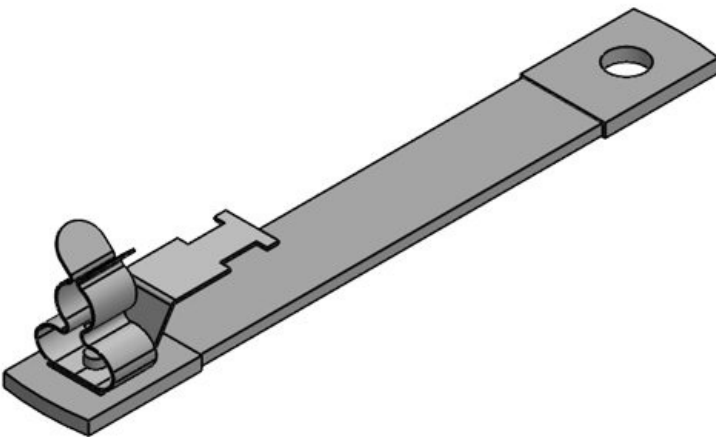
MB|100|6|M4|Z-MSKL 3-12

Part No.	32695.011	Length	113 mm
EAN	4251269324	Width	14,9 mm
	475	Height	25 mm
Package quantity	10	Hole size	M4
No. of shield clamps	1	Cross-section	6 mm²
		Current load	67 - 80 A
For max. no. of cables	1		
Min. shield diam.	3 mm		
Max. shield diam.	12 mm		





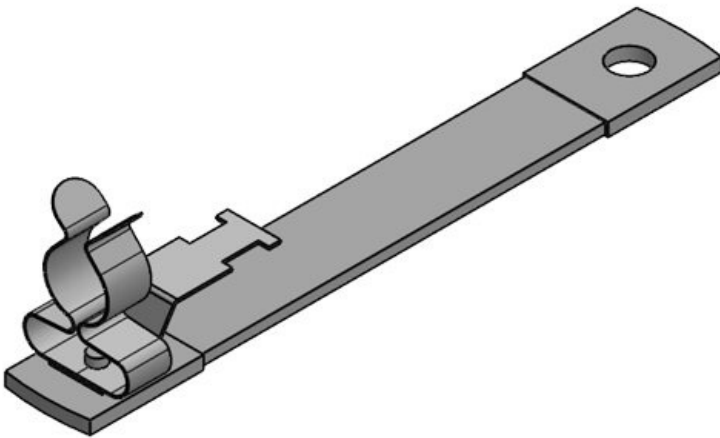
Part No.	32695.021	Length	113 mm
EAN	4251269324	Width	19,7 mm
	482	Height	31,2 mm
Package quantity	10	Hole size	M4
No. of shield clamps	1	Cross-section	6 mm²
For max. no. of cables		Current load	67 - 80 A
Min. shield diam.	8 mm		
Max. shield diam.	18 mm		



Part No.	39711.011	Length	120 mm
EAN	4251269324	Width	14,9 mm
	437	Height	25 mm
Package quantity	10	Hole size	M6
No. of shield clamps	1	Cross-section	10 mm²
For max. no. of cables		Current load	89 - 106 A
Min. shield diam.	3 mm		
Max. shield diam.	12 mm		

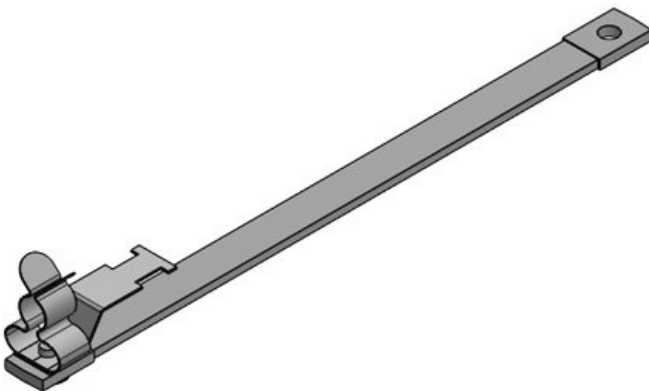
MB|100|10|M6+M4|Z-MSKL 8-18

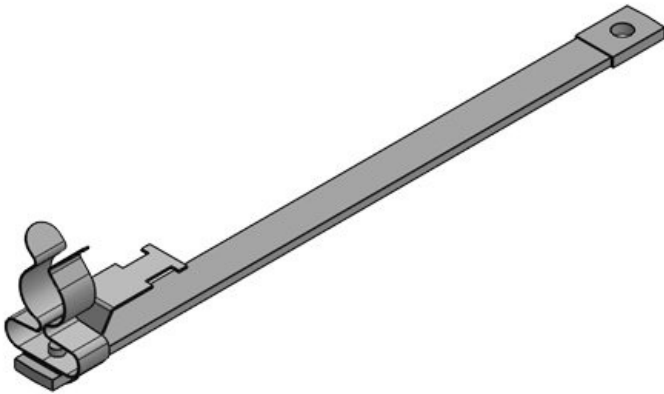
Part No.	39711.021	Length	120 mm
EAN	4251269324	Width	19,7 mm
	444	Height	31,2 mm
Package quantity	10	Hole size	M6
No. of shield clamps	1	Cross-section	10 mm²
		Current load	89 - 106 A
For max. no. of cables	1		
Min. shield diam.	8 mm		
Max. shield diam.	18 mm		



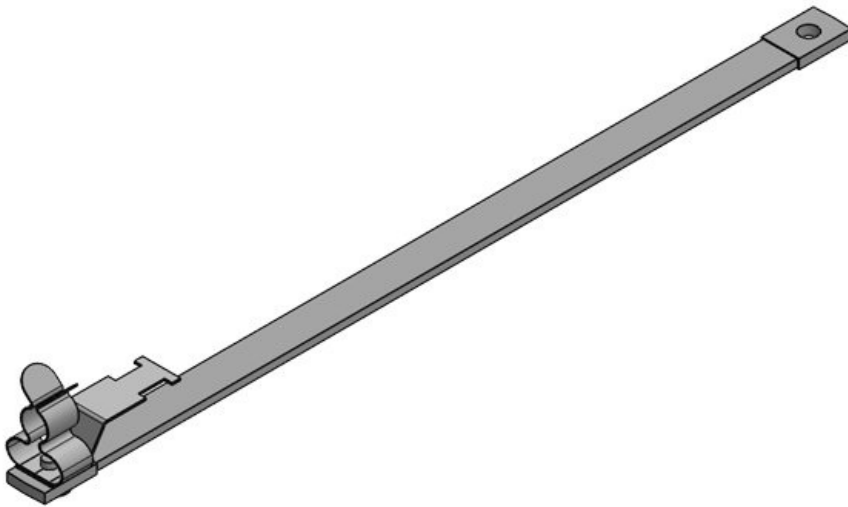
MB|150|6|M4|Z-MSKL 3-12

Part No.	39710.011	Length	163 mm
EAN	4251269324	Width	14,9 mm
	390	Height	25 mm
Package quantity	10	Hole size	M4
No. of shield clamps	1	Cross-section	6 mm²
		Current load	67 - 80 A
For max. no. of cables	1		
Min. shield diam.	3 mm		
Max. shield diam.	12 mm		





Part No.	39710.021	Length	163 mm
EAN	4251269324	Width	19,7 mm
	406	Height	31,2 mm
Package quantity	10	Hole size	M4
No. of shield clamps	1	Cross-section	6 mm²
For max. no. of cables	1	Current load	67 - 80 A
Min. shield diam.	8 mm		
Max. shield diam.	18 mm		



Part No.	32707.011	Length	213 mm
EAN	4251269324	Width	14,9 mm
	512	Height	25 mm
Package quantity	10	Hole size	M4
No. of shield clamps	1	Cross-section	6 mm²
For max. no. of cables	1	Current load	67 - 80 A
Min. shield diam.	3 mm		
Max. shield diam.	12 mm		

Part No.	32707.021	Length	213 mm
EAN	4251269324	Width	19,7 mm
	529	Height	31,2 mm
Package quantity	10	Hole size	M4
No. of shield clamps	1	Cross-section	6 mm²
		Current load	67 - 80 A
For max. no. of cables	1		
Min. shield diam.	8 mm		
Max. shield diam.	18 mm		

